



**JCT**  
Analysentechnik

# HT-41 / HT-42 Temperature Controller with Limiter Function



## APPLICATION

- Temperature controller for all **JCT** heated sample lines
- For operation with elevated safety requirements due to limiter function
- Also universally applicable
- Also for operation of explosion proof heated sample lines in Ex zone 2 applicable

## BENEFITS

- Long lifetime due to contactless switching
- High switching capacity of 3680 W
- Self programmable and free configurable
- Pre-parameterised ex works on request
- Robust compact design
- Limiter function with permanent switch-off according to DIN/VDE 0721
- Switch-off temperature adjustable (50°C to 500°C)
- Alarm relay for 6 A

## FEATURES

- PID-controller
- Wall mounting housing IP 65
- 4-digit LED indication
- Membrane keypad with 4 push buttons
- Alarm outlet with limit compensation ( $\pm 10^{\circ}\text{C}$  to set point)
- Controller outlet with triac
- Freely programmable
- Auto tuning

Gas Sampling  
Probes

Heated Sample Lines

Sample Gas  
Coolers

Condensate  
Treatment

Accessories

Gas Conditioning  
Systems

Sample Gas  
Converters

## TECHNICAL DATA

Model	HT-41	HT-42
Description	temperature controller with limiter function	
Order code		
Connections	HANQ8-socket (8-pole+PE) and mains cable	with cable glands

### Construction

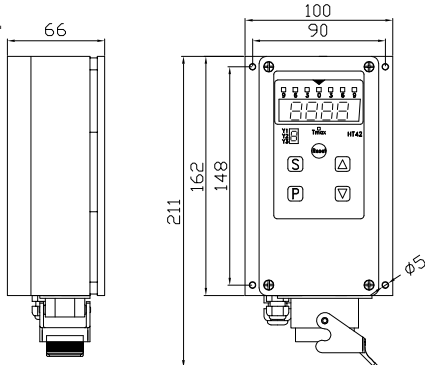
Installation	wall mounting, 4 x M4
Dimensions	80 x 182 (211) x 60 mm
Mounting surface	100 x 162 mm
Degree of protection	IP 65 (EN 60529)
Protection class	I
Operation	Film keypad, 4 push buttons
Housing material	Makrolon
Approvals	CE

### Electrics

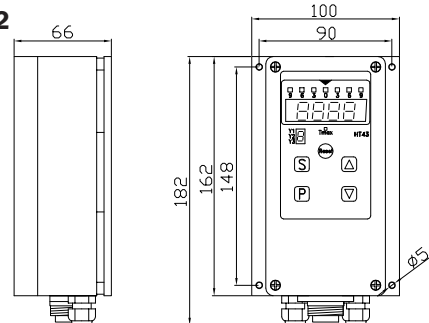
Power supply	230 VAC 50 Hz, optional 115 VAC 60 Hz
Noise immunity	EN 50 082-2
Emitted interference	EN 50 081-1
Sensor types	Fe-CuNi (J), NiCr--Ni (K), with reference point compensation and sensor breakage safeguard, sensor polarity reversal control PT 100, 2 conductors DIN/IEC
Fault limit	0,1 % to 0,2 % of the range
Controller outlet	electrical switch (control) 16 A, Triac
Alarm outlet	relais 6 A, limit compensation Y3, $\pm 10K$ of rated value
Controller response	PID
Limiter function	signal via 2. PT 100
Cutout temperature limiter	50°C to 500°C adjustable, actuates via mechanical relay 16 A
Display current / rated value	4-digit LED display (13 mm high)
Measuring range	-199 to +999 digit
Deviation display	7 LED $\pm 12^\circ\text{C}$ flashing
Setting ex works*	PT 100, 0°C to 200°C
Option	external set point input

\*The customer can reprogram these parameters or settings are supplied as required (extra charge)

### Dimensions HT-41

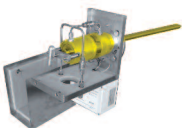


### Dimensions HT-42



Dimensions in mm

Gas Sampling **Probes**



Heated Sample **Lines**



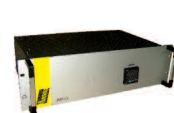
Sample Gas **Coolers**



Gas Conditioning **Systems**



NOx **Converter**



and **solutions** for

