



JES-360H

Gas Sampling Probe 315 °C for Pre-Filter Back Flush



JCT
Analysentechnik

Gas Sampling Probes

Heated Sample Lines

Sample Gas Coolers

Condensate Treatment

Accessories

Gas Conditioning Systems

Sample Gas Converters

APPLICATION

- Representative continuous gas sampling in processes containing high dust and humidity
- Extractive gas analysis
- Emission (CEMS) and process monitoring
- Removal of dust from the sample gas

BENEFITS

- Cost-optimized solutions
- No condensation or chemical reactions of sample gas
- Convenient filter replacement
- Low maintenance
- Safe unattended operation
- Easy start-up
- Even for high dust concentrations
- Reliable protection of the analyzer system
- Long filter lifetime

FEATURES

- Modular design for custom-tailored applications
- Highly efficient filter cleaning
- Homogeneous heating without cold spots
- Large active filter surface
- Filtration from outside to inside
- Filter element change without tools
- Different material of filter elements
- Electronic temperature controller including over temperature protection
- Temperature status contact
- Weather protection housing
- Various options and upgrades
- Wide range of accessories
- Integrated back flush / back purge controller (option)

TECHNICAL DATA

Model

JES-360H

Description	stationary gas sampling probe for pre-filter back flush
-------------	---

Operation

Temperature	180 °C (ex works), adjustable 5 °C to 315 °C
Status limiter set values	-30 K / +20 K fixed to set point
Operating pressure	max. 2 bara (max. 7 bara optional)
Mounting position	5° to 15° incline (recommended), torsion angle max. 45°
Heating-up time	< 1 h
Ambient temperature	for start-up -20 °C to 60 °C for continuous operation -30 °C to 60 °C

Construction

Dimensions over all (W x H x D)	375 x 418 x 449 mm
Dimensions connection box (W x H x D)	120 x 160 x 90 mm
Filter element	
Active filter surface	170 cm ²
Mounting flange	DN 65, PN6; form A according to EN 1092-1; SS316L or 2" ANSI 150 lbs; according to ASME B16.5
Sample gas inlet	G 3/4" female thread
Sample gas outlet	1/8" NPT female thread
Calibration gas connection (feature C)	pipe 6 mm, SS316
Back purge connection (feature K)	pipe 6 mm, SS316
Connection pre-filter back flush (feature J)	NPT 3/8" female thread
Gas wetted materials	SS316L, ceramic, Perlast®
Protection class	connection box IP65, probe IP43
Weight	approx. 15 kg, depending on options
Weather protection housing	SS304, thermal insulated, colour stainless steel natural
Approvals / Signs	CE

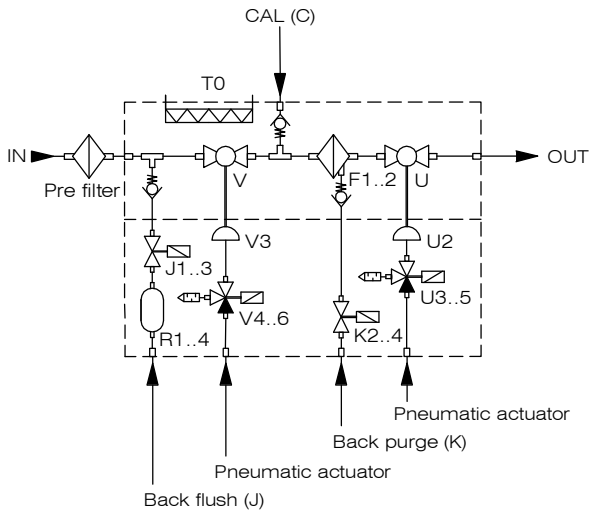
Electrics

Power supply	230 VAC 50 Hz or 115 VAC 60 Hz
Power consumption	approx. 805 VA
Temperature controller / Sensor	electronic / PT100 (IEC-751)
Electrical connection	spring type terminals, clamping range 0,08 to 2,5 mm ²
Switching capacity status contact (volt free)	230 VAC / 2 A, min. 5 VDC / 5 mA

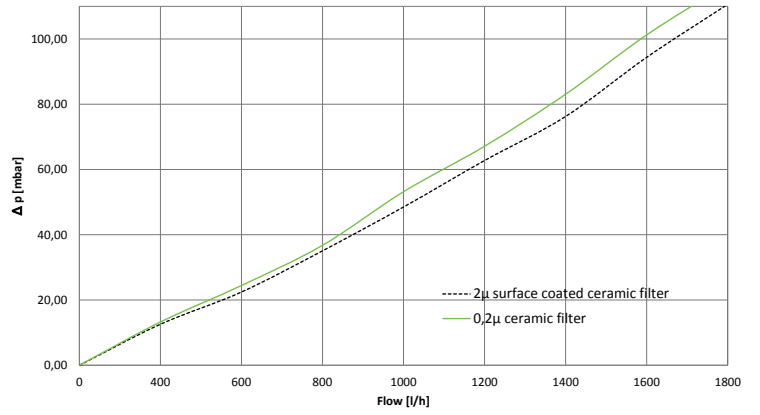
Scope of delivery: sampling probe, mounting material, flange gasket, gasket for sampling pipe, operating manual

FLOW CHART

This flow chart includes all possible options.



Pressure characteristics in dependence of the gas flow
(for new filter element and 20 °C)



DIMENSIONS

Dimensions in mm

